



**Deshmukh Honda**  
Main Road Mondha  
Ambajogai  
Tel: 7030829999  
Mob: 7030839999

**Deshmukh Honda**

# DIO WANNA HAVE FUN?



\*The above TFT image is of Dio 125.

INTRODUCING

**Dio**  
**110** | **Dio**  
**125**

**EXPERIENCE FUN LIKE NEVER BEFORE.**

*Honda Dio 110 and Dio 125 are the perfect rides to make the most of your day and have fun all the way. They're powerful, and power-packed with world-class features. They're comfortable and commanding. They're style personified. But most of all, they promise a smooth, efficient, and fun experience, every single time.*



# DIO WANNA HAVE FUN WITH **NEW** TECHNOLOGY?

**TFT METER** 10.67 cm

**DIO 110** | **DIO 125**

Advanced and interactive, the TFT meter provides real-time and average fuel efficiency, and range (distance to empty), keeping you always informed.

REAL-TIME MILEAGE

RANGE  
(DISTANCE TO EMPTY)

AVERAGE MILEAGE



\*Image reference is for Dio 125.

Dio  
125

# Honda RoadSync

*Stay connected effortlessly with the Honda RoadSync app. Seamlessly link your smartphone to your Dio 125 via Bluetooth. And enjoy a smooth, hassle-free ride while accessing essential features right at your fingertips.*

*Manage messages via voice commands*



*Use turn-by-turn navigation to reach anywhere*



*Get real-time weather updates for any location*



*Manage and make calls directly from your Dio 125*



*Enjoy easy music control*



**Dio  
125**

# *Smart Key*

With **H-Smart** Technology

Unlock a smarter ride with our H-Smart technology and experience the ultimate convenience and security with the Honda Smart Key.

## **Smart SAFE**

Your Dio 125 stays secure, even when you're not around.

## **Smart FIND**

Searching for your ride in a crowded parking or low-light conditions can be frustrating and the answer back feature solves it.

## **Smart UNLOCK**

No need to fumble for your key- Honda Smart Key makes unlocking effortless.

## **Smart START**

Start your Dio 125 without even taking the key out of your pocket.



\*Smart Key is available in Dio 125 H-Smart variant only.

**Dio  
110**

**Dio  
125**

## **IDLING STOP SYSTEM**



*Dio 110's Idling Stop System automatically shuts down the engine during brief stops, reducing unnecessary fuel consumption, and easing rider fatigue.*

## **ADVANCED IDLING STOP SYSTEM**



*The Advanced Idling Stop System on Dio 125 takes fuel efficiency and convenience to the next level as it automatically cuts-off the engine below a certain speed and seamlessly restarts the engine when the rider pulls-up the throttle again.*



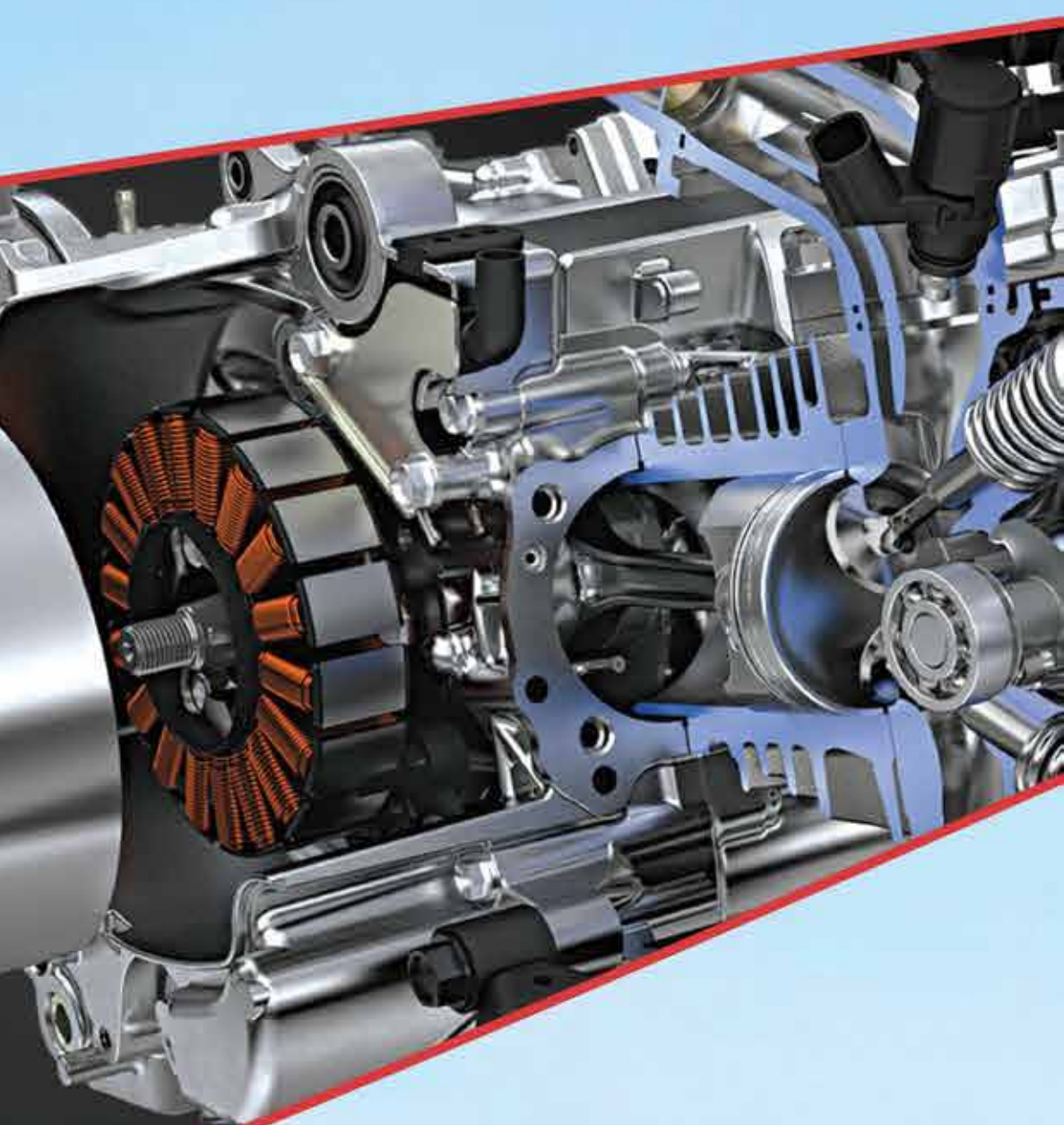
**D10  
110**

**D10  
125**

**SIDE STAND  
ENGINE CUT-OFF\***



It automatically shuts off the engine for added safety when the side stand is engaged.



**SILENT START  
WITH ACG**

The ACG Starter provides a smooth, silent start every time, and reduces engine maintenance.

**PGM-FI  
FUEL INJECTION**

The PGM-FI system optimizes fuel and air for efficient combustion, ensuring steady power and better mileage.

\*Side stand is a part of genuine standard accessories.

**Dio** WANNA  
HAVE FUN WITH  
**COMFORT?**



**Dio  
110**

**Dio  
125**

## USB TYPE-C CHARGING



With the built-in USB Type-C charger, never ever worry about your phone's battery running out.

## DOUBLE-LID EXTERNAL FUEL FILL



Now no need to get up to get your Dio refilled with a double-lid external fuel fill.



**D19  
110**

**D19  
125**

## PASSING SWITCH



Pass like a boss with an easy-to-use passing switch for high beam, low beam, and passing with a flick.

## RETRACTABLE PILLION FOOT STEP



Convenient and easy to use, so that the comfort of those sitting behind is always at the forefront.

## FRONT POCKET



A pocket that's amazingly spacious. So, whether it's your sipper or sunglasses, keep all your essentials close.

## **MULTI-FUNCTION UNIT\***



*Safety meets style, style meets convenience. An iconic sleek, blue back-lit knob that elevates your ride and ride quality.*

## **TELESCOPIC SUSPENSION**



*Say goodbye to bumpy rides! Our telescopic suspension features dual hydraulic shock absorbers with internal coil springs, designed for minimum vibrations, maximum comfort.*

## **12-INCH FRONT WHEEL**



*Our 12-inch wheels are designed to tackle tough terrains with ease, giving you effortless clearances and enhanced confidence.*

**DIO** WANNA  
HAVE FUN WITH  
**STYLE?**



**Dio  
110**

## SPLIT GRABRAIL



*A bold, sleek grabrail that grabs attention from the first glance onwards.*

## SPORTY MUFFLER



*A stylishly cool muffler protector on Dio 110 to up the style.*



*A thunderous sound for a thunderous entry. Dio 125's dual-tip muffler announces your arrival before you even arrive.*

## ALLOY WHEELS



*These alloy wheels combine stylishness with unmatched comfort.*

**Dio  
110**

**Dio  
125**

## SPORTY DISC BRAKE

Only for Dio 125



High-performance disc brakes fitted in sleek alloy wheels, perfect for those who like to stay stylishly in command.

## POSITION LAMP

The distinctive LED lamp enhances the bold look while adding a touch of flair to your style.



## FIERCE LED HEADLAMP

For trendsetters who own the night, the sleek LED lights provide a bright, clear view of the road ahead.



**DIO** WANNA  
HAVE FUN WITH  
**COLOURS?**

**DIO  
110**



**IMPERIAL RED  
METALLIC**

**MAT MARVEL  
BLUE**



**MAT AXIS  
GRAY METALLIC**

**PEARL IGNEOUS  
BLACK**



**PEARL IGNEOUS BLACK +  
PEARL DEEP GROUND GRAY**

**DIO  
125**

**MAT MARVEL BLUE METALLIC**



**PEARL DEEP GROUND GRAY  
(EMBLEM)**

**PEARL SPORTS YELLOW**



**PEARL DEEP GROUND GRAY  
(STRIPE)**

**IMERIAL RED**



**PEARL IGNEOUS BLACK**

**AVAILABLE IN 2 DIFFERENT VARIANTS**



Features	STD	DLX
TFT Meter	x	✓
Eco Indicator	x	✓
Real-Time Fuel Efficiency	x	✓
Average Fuel Efficiency	x	✓
Range (Distance To Empty)	x	✓
Alloy Wheels	x	✓
Periodic Maintenance Indicator	x	✓
Automatically Adjustable Meter Light & Dark Theme Modes	x	✓
Universal USB-C Type Charging	OP	✓
Idling Stop System With Turn Off Switch	✓	✓
Double-Lid External Fuel Fill	✓	✓
Glove Box	✓	✓
ACG Silent Start	✓	✓
CBS With Equalizer	✓	✓



Features	DLX	H-SMART
Multi-Function SMART Switch Unit	x	✓
Smart Key	x	✓
Smart Find	x	✓
Smart Unlock	x	✓
Smart Safe	x	✓
Smart Start	x	✓
Bluetooth Connectivity	x	✓
Honda RoadSync App	x	✓
Turn By Turn Navigation With Voice Assist	x	✓
Calling	x	✓
Message - Answer Back	x	✓
Weather Forecast	x	✓
Music Control Through TFT	x	✓
TFT Meter	✓	✓
Eco Indicator	✓	✓
Real-Time Fuel Efficiency	✓	✓
Average Fuel Efficiency	✓	✓
Range (Distance To Empty)	✓	✓
Alloy Wheels	✓	✓
Universal USB-C Type Charging	✓	✓
Adv. Idling Stop System With Turn Off Switch	✓	✓
Double-Lid External Fuel Fill	✓	✓
Glove Box	✓	✓
ACG Silent Start	✓	✓
CBS With Equalizer	✓	✓
Disc Brakes	✓	✓
Periodic Maintenance Indicator	✓	✓
Automatically Adjustable Meter Light & Dark Theme Modes	✓	✓

## TECHNICAL SPECIFICATION<sup>+</sup>


 Body Dimensions	110 cc	125 cc
Length	1808 mm	1830 mm
Width	677 mm	707 mm
Height	1151 mm	1172 mm
Wheel Base	1260 mm	1260 mm
Ground Clearance	160 mm	171 mm
Seat Length	650 mm	708 mm
Kerb Weight	Std. & Dlx: 106 kg	104 kg (Smart), 105 kg (Dlx)
Fuel Tank Capacity	5.3 L	5.3 L

 Engine		
Type	4 Stroke, SI Engine	4 Stroke, SI Engine
Displacement	109.51 cc	123.92 cc
Max Net Power	5.85 kW @ 8000 rpm	6.11 kW @ 6500 rpm
Max Net Torque	9.03 N-m @ 5500 rpm	10.5 N-m @ 5000 rpm
Bore	47.0 mm	50.0 mm
Stroke	63.121 mm	63.113 mm
Fuel System	PGM - FI	PGM - FI
Compression Ratio	10.0:1	10.0:1
Air Filter Type	Viscous Paper Filter	Viscous Paper Filter
Starting Method	Kick / Self	Self

 Transmission		
Clutch Type	Automatic Centrifugal Clutch Dry Type	Automatic Centrifugal Clutch Dry Type

 Tyres & Brakes		
Tyre Size (Front)	90/90-12 54J	90/90-12 54J
Tyre Size (Rear)	90/100-10 53J	90/100-10 53J
Tyre Type (Front)	Tubeless	Tubeless
Tyre Type (Rear)	Tubeless	Tubeless
Brake Type & Size (Front)	Drum - 130 mm	Disc - 190 mm
Brake Type & Size (Rear)	Drum - 130 mm	Drum - 130 mm

 Frames & Suspensions		
Frame Type	Underbone	Underbone
Front	Telescopic	Telescopic
Rear	Unit Swing	3-Step Adjustable Spring Loaded Hydraulic

 Electricals		
System Voltage	12V	12V
Battery	5.0 Ah	5.0 Ah
Head Lamp	LED	LED

\*The technical specifications and design of the vehicle may vary according to the requirements and conditions without any notice • Range (distance to empty), real time and average mileage readings may vary as per the variant and riding conditions • Dio 110 and Dio 125 meets Bharat stage VI OBD-2B norms • Product shown in the picture may vary from the actual product available in the market • Accessories shown in the picture are not part of the standard equipment • All features and colours may not be part of all variants • \*Conditions apply.

**Honda Motorcycle and Scooter India Pvt. Ltd.**

**Registered Office:** Plot No. 1, Sector-03, IMT Manesar, Distt. Gurugram- 122050 (Haryana)

**Tel:** +91(0)124-2290011, +91(0)6712800, **Fax:** +91(0)124-6712999

**Visit us at:** [www.honda2wheelersindia.com](http://www.honda2wheelersindia.com) **Customer Care:** [customercare@honda.hmsi.in](mailto:customercare@honda.hmsi.in)

**Follow us at :**  [honda2wheelers.in](https://www.facebook.com/honda2wheelers.in)  [honda2wheelerin](https://www.instagram.com/honda2wheelerin)  [honda2wheelersin](https://www.youtube.com/honda2wheelersin)  [honda2wheelerin](https://twitter.com/honda2wheelerin)

Dealer Stamp